



PLANNING DOCUMENT  
BORA SINK

# BORA Sink Highlights

## **Self-cleaning at the push of a button**

Compared to conventional cleaning, the BORA Sink is automatically cleaned at the push of a button using a laminar water flow. This makes cleaning fast and efficient and can reduce the water consumption. The intelligently designed flow profile ensures a uniform distribution of water within the sink. Contaminants and dirt are rinsed off the surfaces and collected in the drain filter for easy removal. The cleaning function can be activated in pulse or continuous mode. Pulse mode is started by pressing the touch sensor for a few seconds. For the duration of the operation, a pulsating water flow starts, which allows short rinsing pulses. By pressing the touch sensor for at least 5 seconds, BORA Sink activates continuous operation, and the water flow will automatically continue for 15 seconds.

## **Premium materials**

The durable quartz composite sink made of Cristadur® enhances cleaning efficiency and hygiene through its water-repellent effect. Cristadur® features a patented extremely fine material structure and a silky matte surface that easily repels dirt and water. This minimizes the breeding ground for germs, bacteria, and limescale deposits.

## **Minimalist design**

Precise edges define the deep black sink and faucet. Focusing on the essentials and following the typical BORA design, the faucet and sink forgo additional control elements in favor of a holistically streamlined operating concept. The sink's overflow is placed on the opposite side of the field of view to provide an unobstructed view of the deep black surface. The faucet impresses with its sleek, unobtrusive design and clear form language.

## **Intuitive control**

The water flow of the BORA faucet and its temperature are adjusted directly via the front control. This intelligently avoids the need to reach over the water flow. The LED coloring on the push button of the faucet allows you to instantly see the set water temperature. The faucet can also be easily operated using the back of your hand or elbow, allowing for hands-free use. The cleaning function can be intuitively activated by pressing the button on the front control or via a button located underneath the countertop.





## SINK 1

Sink self-cleaning sink



## SINKS 1

Sink self-cleaning sink with faucet



# SINK 1

Sink self-cleaning sink

## Technical data

Dimensions (width x depth x height)	550 x 450 x 360 mm
Inner dimension sink basin (width x depth x height)	486 x 372 x 216 mm
Weight (incl. accessories/packaging)	20 kg
Weight net	16 kg
Installation method	Undermount
Surface material	CRISTADUR®
Capacity (up to overflow)	22 l
Maximum load	30 kg
Operating pressure	2 - 5 bar
Minimum flow rate	0.33 l/s
Connection size of water inlet pipe	3/4"
Length water inlet pipe to the control unit	1 m
Length of water inlet pip to sink basin	1 m
Length of communication cable for touch sensor	1.35 m
Supply voltage	100-240 V
Frequency	50- 60 Hz
Maximum power consumption	24 W
Length of power supply cable	2 m

## Product description

- Minimalist design
- Premium materials with water-repellent effect
- Activation of the cleaning function via touch sensor

## Functions

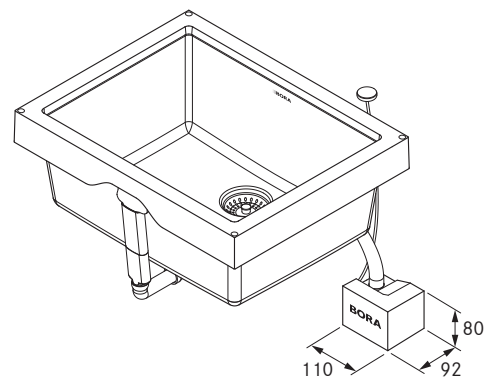
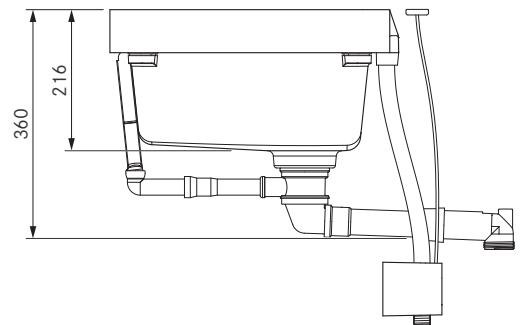
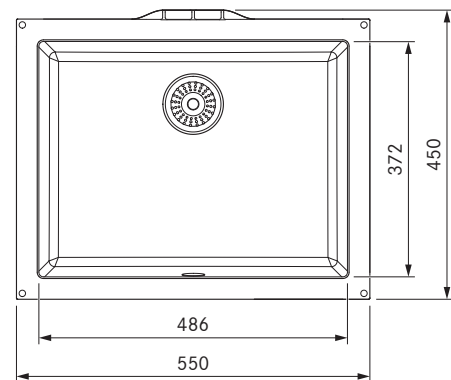
- Cleaning function with pulse and continuous operation

## Scope of delivery

Sink basin, control unit, power supply, touch sensor, water inlet pipe control unit, water inlet pipe, sink basin, drain set incl. drain filter, overflow set, installation materials, installation template/installation instructions, operating instructions, 3 x cleaning tool

## Product and planning information

- The sink requires a mains water connection (cold water, connection size 3/4").
- The stopcock for the fresh water supply must be easily accessible when the appliance is installed.
- The drain set must be connected to an exposed or concealed siphon.
- A non-return valve (3/4") must be installed on site on the sink.
- The minimum flow rate of the sink of 0.33 l/s must be ensured.
- A worktop thickness of 10-60 mm is permitted for the touch sensor. If the worktop is thicker than 60 mm, a recess (35 mm diameter) must be drilled to position the touch sensor closer to the worktop surface. The sensitivity of the touch sensor can be adjusted.
- When installed in stainless steel worktops, the cleaning function can only be activated in combination with the faucet (the touch sensor will not function).
- The water connection pipes are flexible.



# SINKS 1

## Sink self-cleaning sink with faucet

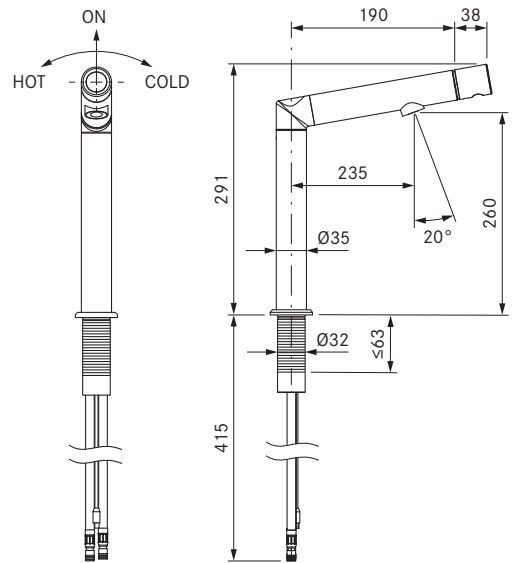
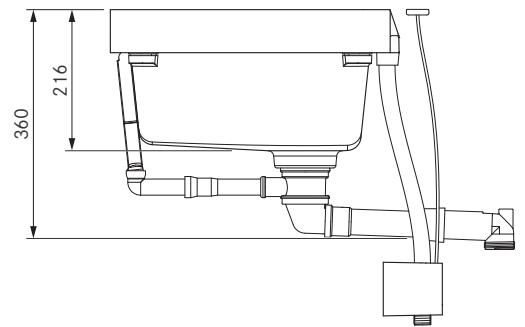
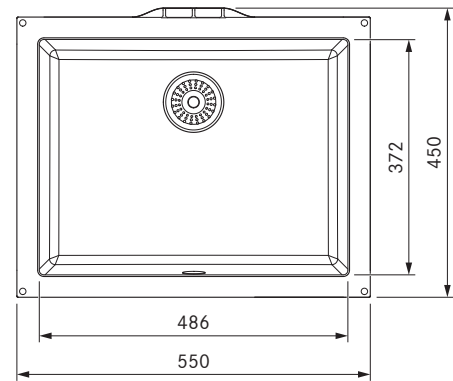
### Technical data

#### Self-cleaning sink:

Dimensions (width x depth x height)	800 x 450 x 360 mm
Inner dimension sink basin (width x depth x height)	486 x 372 x 216 mm
Weight (incl. accessories/packaging)	20 kg
Weight net	16 kg
Installation method	Undermount
Surface material	CRISTADUR®
Capacity (up to overflow)	22 l.
Maximum load	30 kg
Operating pressure	2 - 5 bar
Minimum flow rate	0.33 l/s
Connection size of water inlet pipe	3/4"
Length water inlet pipe to the control unit	1 m
Length of water inlet pipe to sink basin	1 m
Length of communication cable for touch sensor	1.35 m
Supply voltage	100-240 V
Frequency	50- 60 Hz
Maximum power consumption	24W
Length of power supply cable	2 m

#### Faucet:

Dimensions visible faucet (width × height × depth)	35 x 291 x 245 mm
Weight (incl. accessories/packaging)	2.7 kg
Weight net	1.4 kg
Connection type	High pressure
Spout height	260 mm
Flow type	Aerated flow
Swivel range	120°
Minimum water pressure	1 bar
Flow rate	8 - 12 l/min bei 3 bar
Connection size of water inlet pipes	3/8"
Length of water inlet pipes to the flow measurement unit	400 mm
Material	Stainless steel powder coated
Colour	Matt black



### Product description

- Minimalist design
- Premium materials with water-repellent effect
- Activation of the cleaning function via touch sensor or the push of a button

### Functions

- Cleaning function with pulse and continuous operation
- Water temperature indicator on the faucet via LED color coding
- Front control

### Scope of delivery Sink

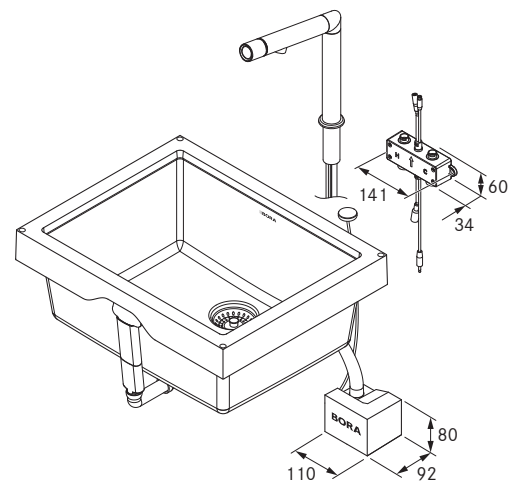
Sink basin, control unit, power supply, touch sensor, water inlet pipe control unit, water inlet pipe, sink basin, drain set incl. drain filter, overflow set, installation materials, installation template/installation instructions, operating instructions, 3 x cleaning tool

### Scope of delivery Faucet

Faucet, flow measurement unit, 2 x water inlet pipes, Y-cable connector for power supply, Y-cable connector for cleaning function control, installation materials, and installation instructions.

### Product and planning information

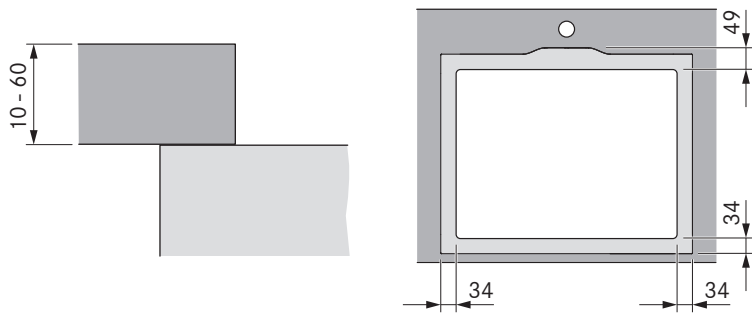
- The sink requires a mains water connection (cold water, connection size 3/4").
- The stopcocks for the fresh water supply must be easily accessible when the appliance is installed.
- The drain set must be connected to an exposed or concealed siphon.
- A check valve (3/4") must be installed on site on the sink.
- The minimum flow rate of the sink of 0.33 l/s must be ensured.
- A worktop thickness of 10-60 mm is permitted for the touch sensor. If the worktop is thicker than 60 mm, a recess (35 mm diameter) must be drilled to position the touch sensor closer to the worktop surface. The sensitivity of the touch sensor can be adjusted.
- When installed in stainless steel worktops, the cleaning function can only be activated via the faucet (the touch sensor will not function).
- The water connection pipes are flexible.



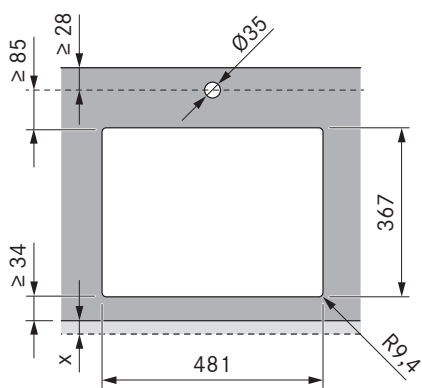
# Cut-out dimensions

BORA Sink

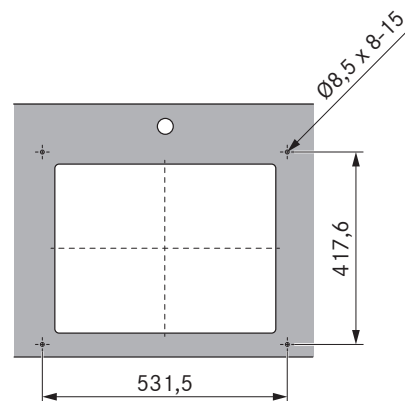
## Undermount



## Worktop cut-out



## Drill holes in the underside of the worktop

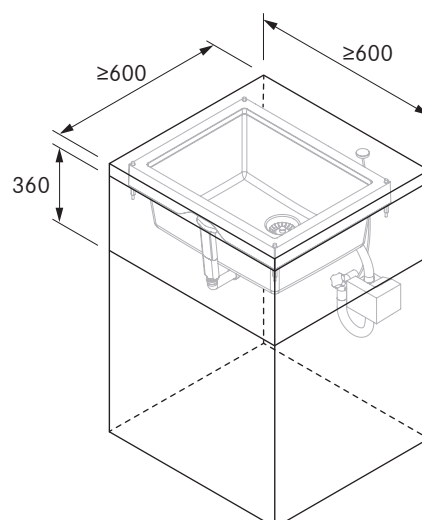


### Important planning instructions:

- Please note the worktop manufacturer's instructions on the suitability of the worktop.
- Worktop cutouts must be sealed against moisture with appropriate materials.
- In addition to the worktop cut-out, 4 holes  $\varnothing 8.5 \times 8 - 15$  mm are required on the underside of the worktop.

## Minimum installation dimension

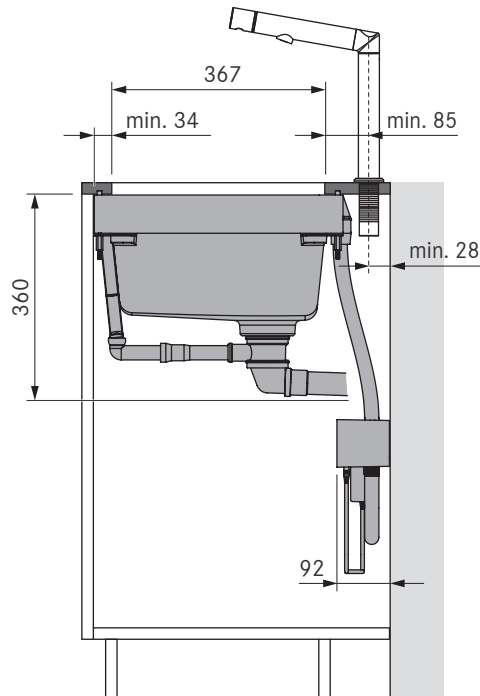
BORA Sink



# Installation cross-sections

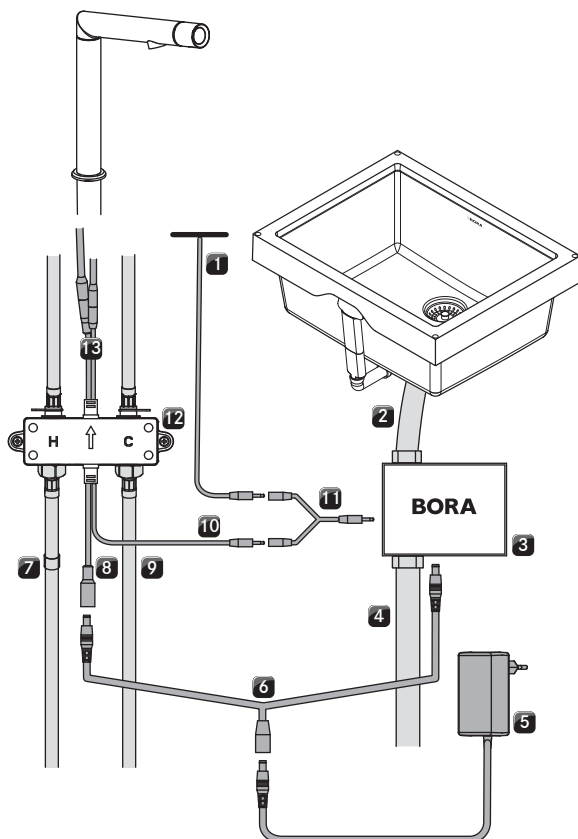
BORA Sink

## SINK1 and SINKS1



## Connection diagram

BORA self-cleaning sink with faucet



### Description

1	Touch sensor
2	Water inlet pipe to the sink (3/4")
3	Control unit
4	Water inlet pipe to control unit (cold water, 3/4")
5	Power supply
6	Y-cable connector, power supply
7	Water inlet pipe hot water (3/8")
8	Power supply connection for flow measuring unit
9	Water inlet pipe cold water (3/8")
10	Communication cable flow measuring unit
11	Y-cable connector control cleaning function
12	Flow measuring unit
13	Water inlet pipes and connection cables faucet

Connection itself must be carried out by a trained personnel based on the installation instructions.

---

**D**

BORA Lüftungstechnik GmbH  
Rosenheimer Straße 33  
83064 Raubling, Germany  
T +49 (0) 80 35 98 40-0  
support@bora.com

**A**

BORA Vertriebs GmbH & Co KG  
Innstraße 1  
6342 Niederndorf, Austria  
T +43 (0) 53 73 6 22 50-0  
support@bora.com

**INT**

BORA Holding GmbH  
Innstraße 1  
6342 Niederndorf, Austria  
T +43 (0) 53 73 6 22 50-0  
support@bora.com

EN

---

Errors and technical changes reserved. Last updated: 09/2024  
Valid until 31.12.2024

All rights reserved. Articles may only be reprinted with the written consent of BORA Vertriebs GmbH & Co KG and with precise reference to the source. We reserve the right to make technical changes to the design of the products. Images can be examples, the appearance of which may deviate from the products supplied. Colour discrepancies may occur due to the printing process.

**bora.com**